

Architectural Lighting

Installation Sheet

Please read the provided instructions before commencing installation and ensure to retain the installation sheet for future reference. If in doubt, consult a qualified electrician for installation.

Do not conduct modification of the product, failure to comply may result in the invalidation of warranty and render the product unsafe for use.

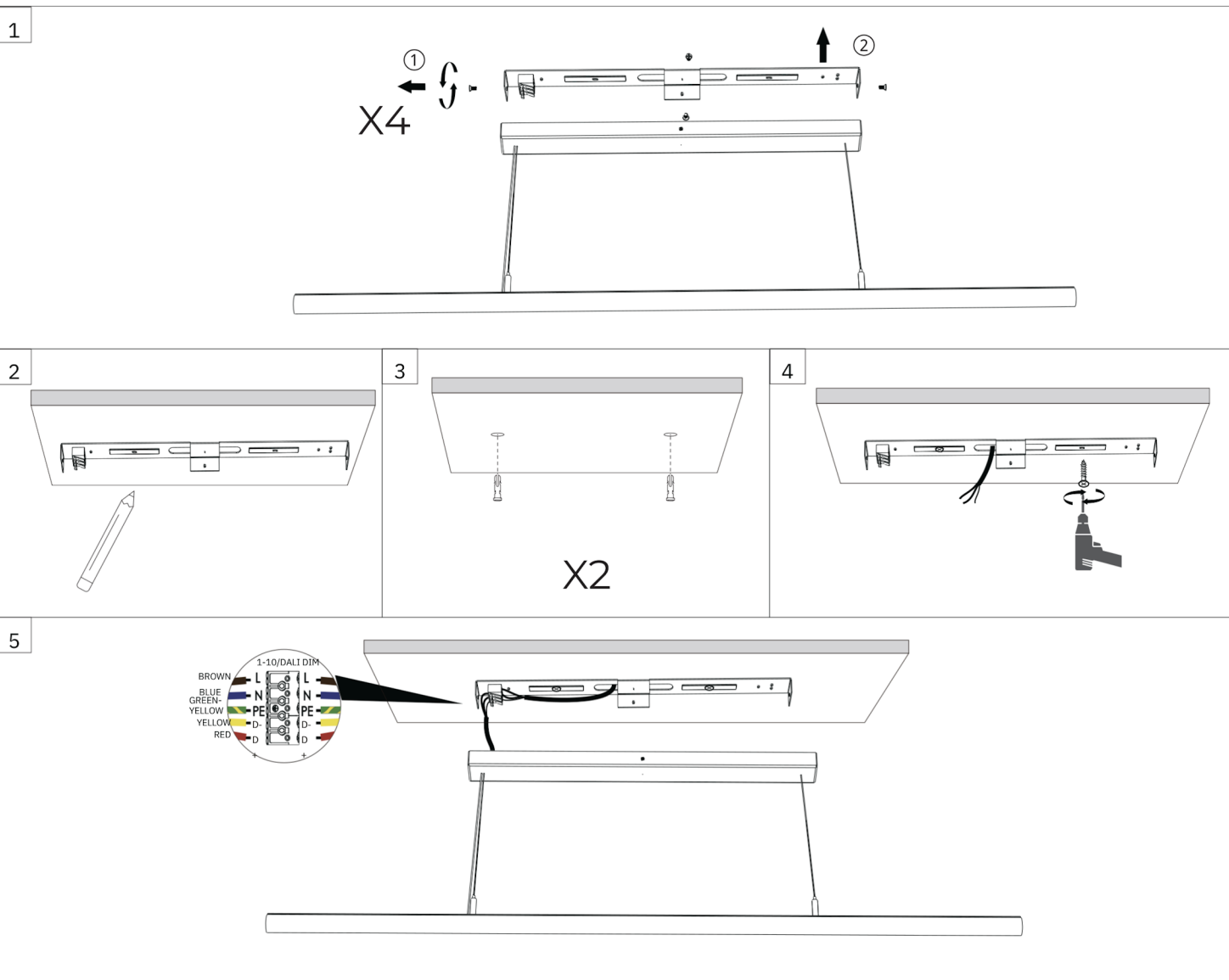
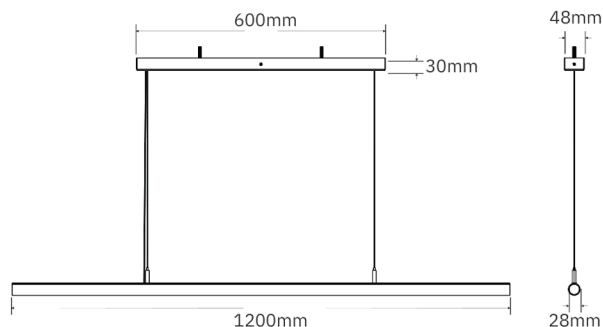
*All electrical installations must be carried out according to Australian electrical code & local regulations

Safety instructions:

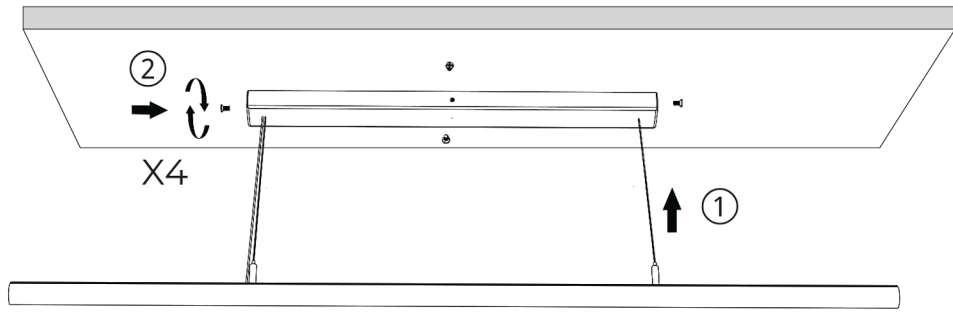
1. Switch off electricity at the mains prior to installation or lamp change. If a fuse box is used, remove appropriate circuitry to avoid accidental switching [ON] of the mains supply.
2. Connect to a 120-277V supply in accordance with relevant electrical standards.
3. Ensure all connections are tight without loose strands.
4. Abide by fire regulations during light installation.
5. If in doubt, consult a qualified electrician for installation.

Warning:

1. For indoor use only.
2. Carefully dispose of flammable package material.
3. Ensure cables are not defected prior to installation.
4. It is recommended to consult a qualified electrician for installation.
5. When switched ON, Do not look at the lamp directly.



6



7

